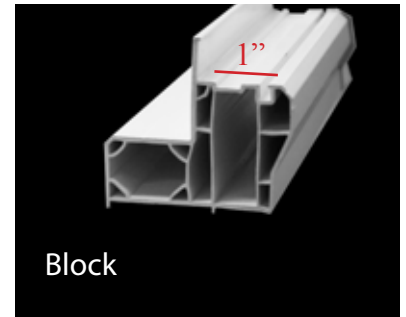
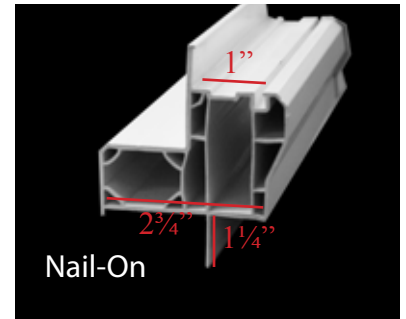
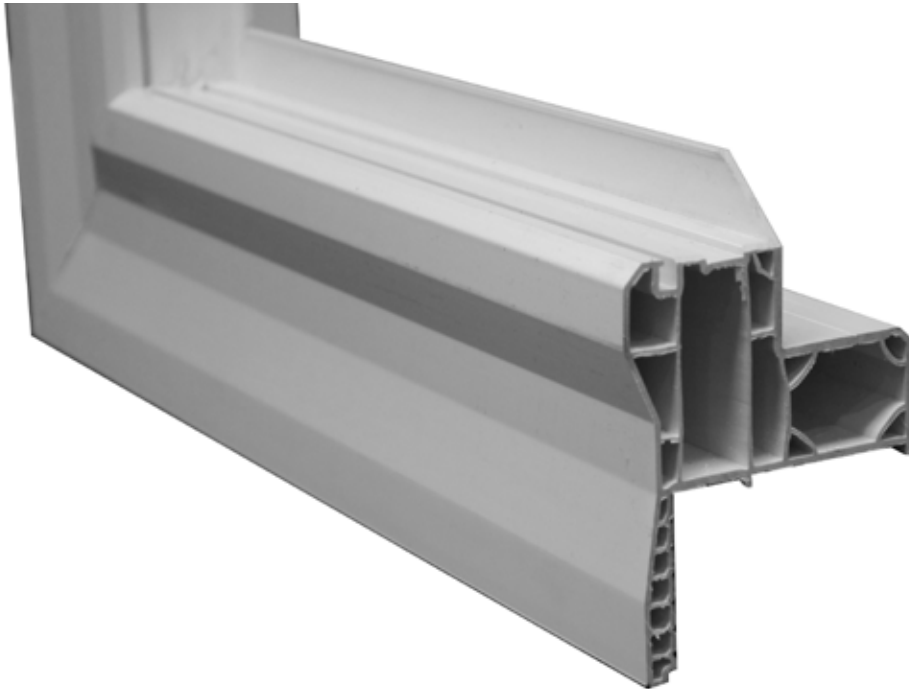


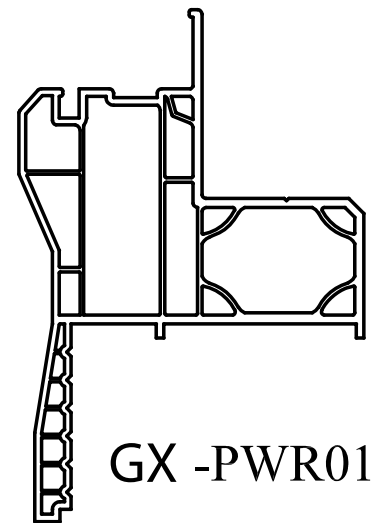
GALAXY PICTURE WINDOWS (GX-PW)



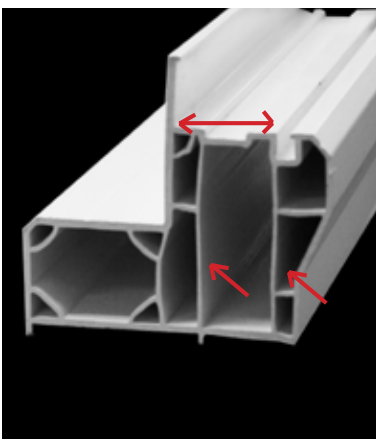
Galaxy picture window frames offer a great middle option for windows that are too big to use regular picture window frames and aren't big enough to use patio door frames. This is a great middle ground for getting to use regular window frames and the strength of patio door frames.



Just like our other windows, we install a vent on our window frames to keep the moisture out and its loose, one-way trap door keeps insects and unwanted debris out.



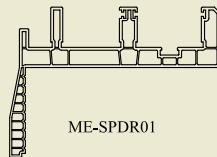
Galaxy Picture Window Retrofit



Galaxy picture window frames are made a bit different from our usual picture window frame to support larger windows. The glass is separated an inch apart to give it a sturdier build. Also the internal architecture has improved by adding more columns for added support.

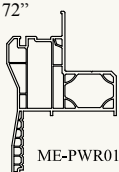
PICTURE WINDOW SCALE

Sizes 96" x 72" and up+



Large Picture Windows
Are windows larger than 96" x 72". These sizes are too large for our regular picture window frames, so we only build these with our Galaxy sliding patio door frames. This offers much more support for heavier windows because of the thicker frame and further spaced glass.

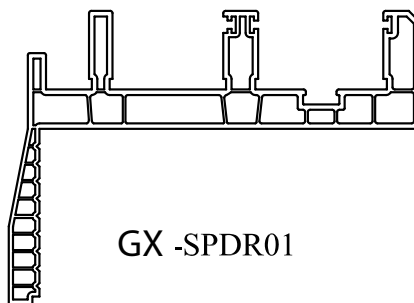
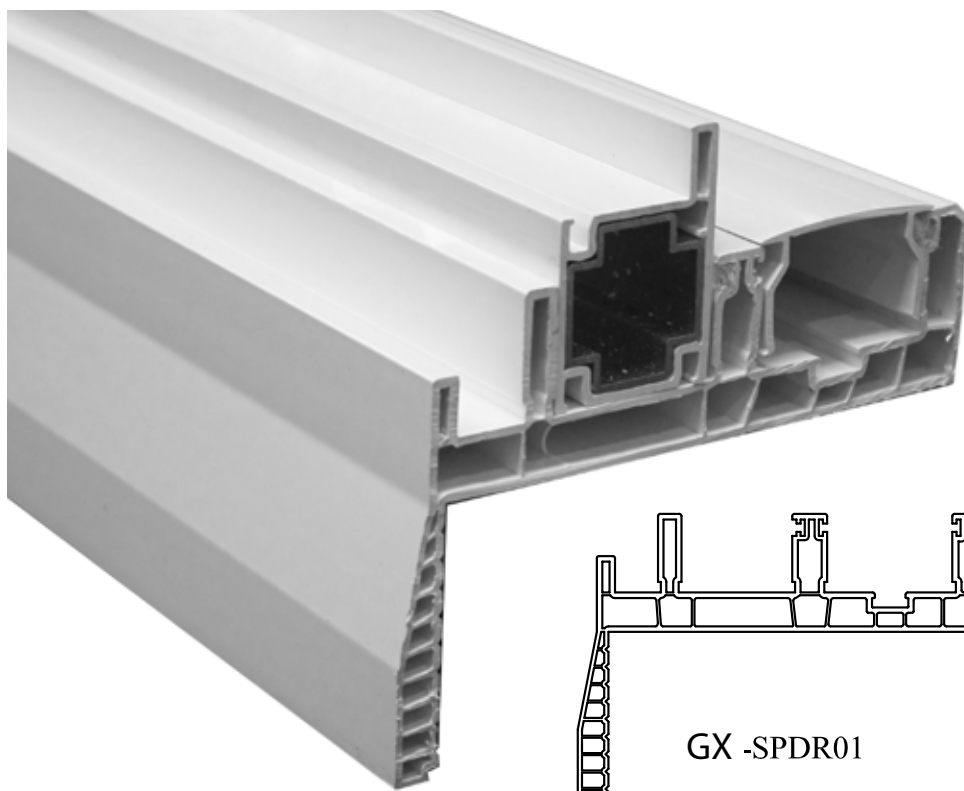
Sizes 72" x 72" - 96" x 72"



Medium Picture Windows are between 72" x 72" and 96" x 72". These are recommended to be built with our Galaxy Frames in combination of tempered glass for durability.

Small Picture Windows are windows smaller than 72" x 72". These can be made with our regular frames.

PATIO DOOR FRAMES FOR PICTURE WINDOWS



Regular Patio Door



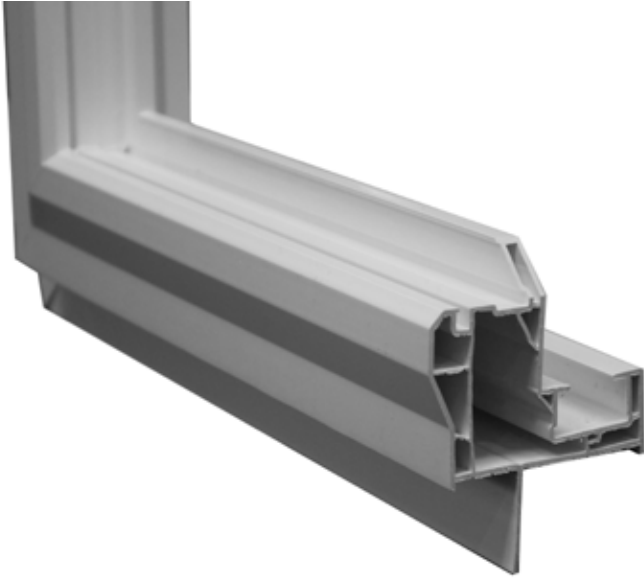
Patio Door Sash Frame



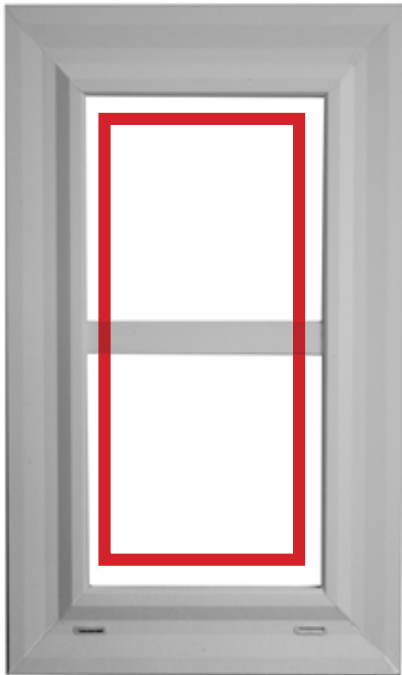
Aluminum Insert

Larger picture windows are built with our Galaxy sliding patio door frames except with a few minor modifications. Instead of a rail, we use a cover to conceal the second sash slot.

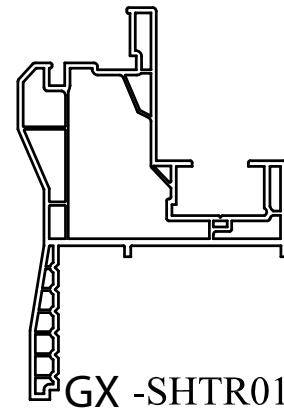
GALAXY SINGLE HUNG TILT WINDOWS (GX-SHT)



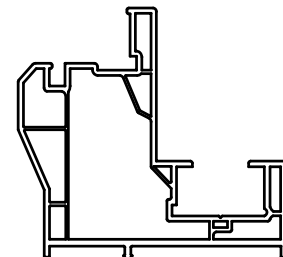
Galaxy single-hung tilt windows offer the same benefits as other galaxy frames. They offer an even sightline all around the inner frame and come installed with a vent latch which restricts its maximum opening.



What makes galaxy frames so great is that they feature an even sightline all around the inside of the frame. This allows you a pleasantly symmetric appearance from your windows.



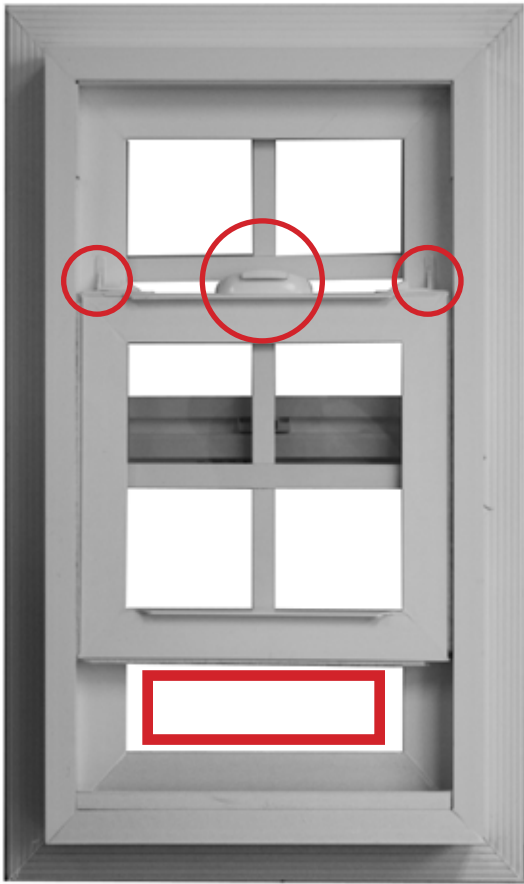
GX -SHTR01
Galaxy Single-Hung Tilt Windows
Retro-fit



GX -SHTN01
Galaxy Single-Hung Tilt Windows
Nail-on

Window screens are great ways to keep your homes clean by leaving the dirt and debris out where it belongs. Easy to install and easy to remove, our screens are wonderful add-ons for your windows.





From the front, you can see that the sightlines on these frames are even all the way around the inner frame. You can also see that the new lock we use is less obtrusive and blends in well into the frame.



The back will show you that the construction of these frames are similar to our classic luxury and imperial frames. You will also notice the vent latches that we install onto the back to limit the maximum opening of the window.



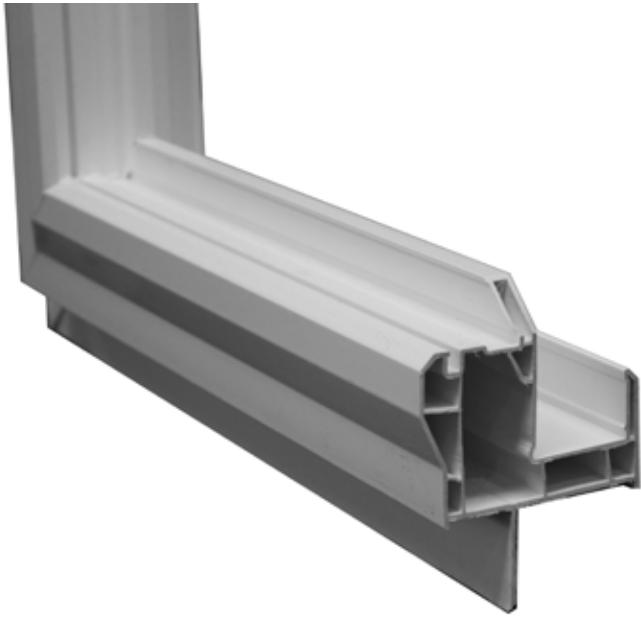
We have a variety of styles and designs of grids for you to choose from. Our grids are installed within the glass panels to make your windows easier to clean.



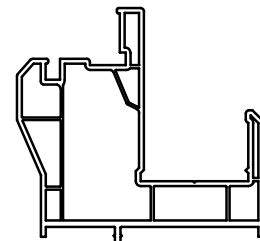
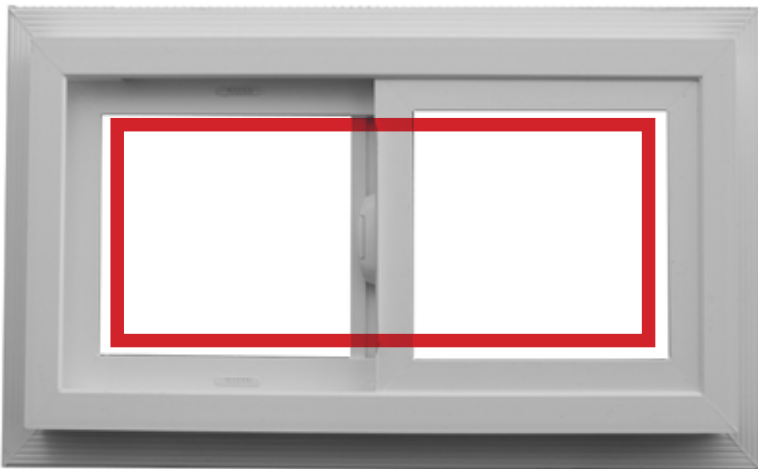
When the vent latches are retracted, they lay flush into the frame with no obtrusions. This allows the window to operate without any restrictions.



GALAXY HORIZONTAL SLIDING WINDOWS (GX-XO)

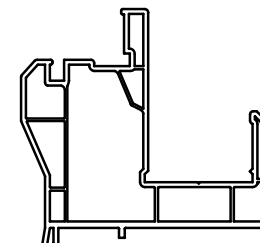


Galaxy Horizontal sliding windows are great. They offer a symetric opening from both as the sightline from all sides are even. Horizontal sliders also include vent latches that help you reinforce the maximum opening so that you can prevent small children from crawling through or burglars from breaking in.



GX -SLDN01

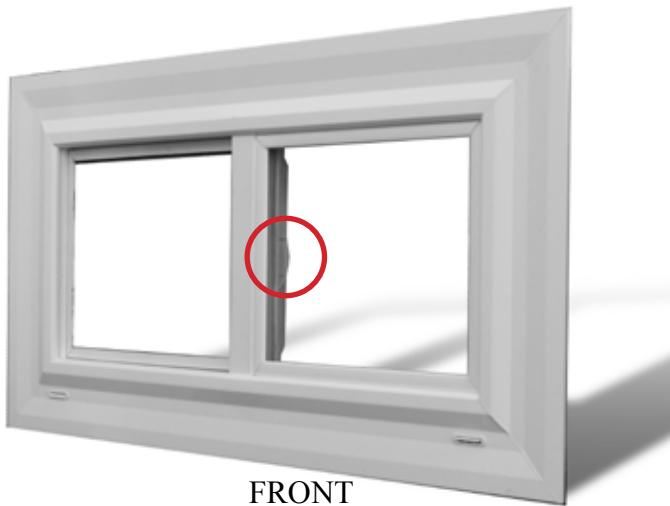
Galaxy Horizontal Sliding Windows
Nail-on



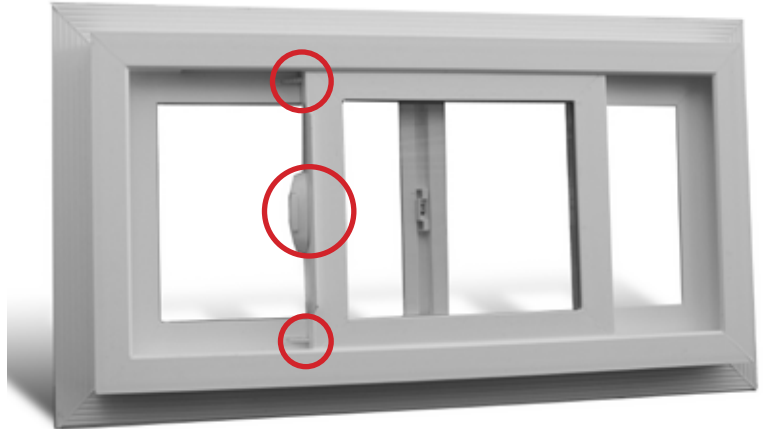
GX -SLDR01

Galaxy Horizontal Sliding Windows
Retrofit

What makes galaxy frames so great is that they feature and even sightline all around the inside of the frame. This allows you a pleasantly symetric appearance from your windows.



FRONT



BACK



From the front, you can see that the sightlines on these frames are even all the way around the inner frame. You can also see that the new lock we use is less obtrusive and blends in well into the frame.



The back will show you that the construction of these frames are similar to our classic luxury and imperial frames. You will also notice the vent latches that we install onto the back to limit the maximum opening of the window.

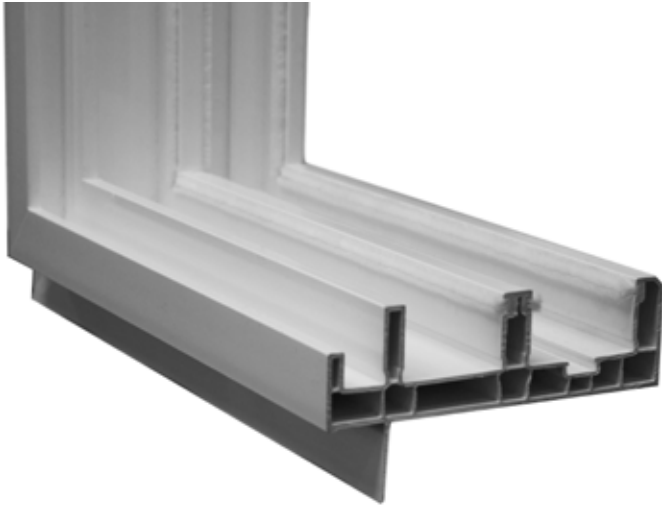


Our small plastic rollers make it almost effortless to open and close our horizontal sliding windows. These are guaranteed to last as long as the frame does.



Cleaning our sliding windows has been made easy. Panels are removable so that you can easily clean both sides of the window without going outside of the house.

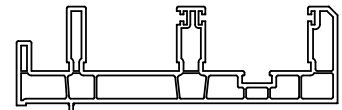
GALAXY SLIDING PATIO DOORS (GX-SPD)



Galaxy sliding patio doors are now built more with the user in mind. Galaxy door frames now are installed with aluminum rails along the bottom to assist the rollers. This makes the door seem lighter and easier to operate. The aluminum is less prone to friction and corrosion than most other metals used. This also allows operation to have minimal sound effects.

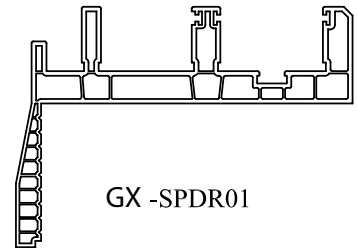


Our new double latch lock are designed to improve on security. The double latch doubles the security of single latch locks. These locks operate similar to our old design with a switch to activate the lock.



GX -SPDN01

Galaxy Horizontal Sliding Windows
Nail-on



GX -SPDR01

Galaxy Horizontal Sliding Windows
Retro-Fit